

OVERHEAD OBSTRUCTIONS AND CLEARANCE LIMITS

§2946. Provisions for Preventing Accidents Due to Proximity to Overhead Lines.

(a) General. ***No person***, firm, or corporation, or agent of same, ***shall require or permit any employee to perform any function in proximity to energized high-voltage lines***; to enter upon any land, building, or other premises and there engage in any excavation, demolition, construction, repair, or other operation; or to erect, install, operate, or store in or upon such premises any tools, machinery, equipment, materials, or structures (including scaffolding, house moving, well drilling, pile driving, or hoisting equipment) ***unless and until danger from accidental contact with said high-voltage lines has been effectively guarded against.***

(b) Clearances or Safeguards Required. Except where overhead electrical distribution and transmission lines have been de-energized and visibly grounded, the following provisions shall be met:

(1) Over Lines. The operation, erection, or handling of tools, machinery, apparatus, supplies, or materials, or any part thereof, over energized overhead high-voltage lines shall be prohibited.

(2) The operation, erection, handling, or transportation of tools, machinery, materials, structures, scaffolds, or the moving of any house or other building, or any other activity where any parts of the above or any part of an employee's body will come closer than the minimum clearances from energized overhead lines as set forth in Table 1 shall be prohibited.

Operation of boom-type equipment shall conform to the minimum clearances set forth in Table 2, except in transit where the boom is lowered and there is no load attached, in which case the distances specified in Table 1 shall apply.

(3) Boom-type lifting or hoisting equipment. The erection, operation or dismantling of any boom-type lifting or hoisting equipment, or any part thereof, closer than the

BCA IIPP Tailgate Topic Review

minimum clearances from energized overhead high-voltage lines set forth in Table 2 shall be prohibited.

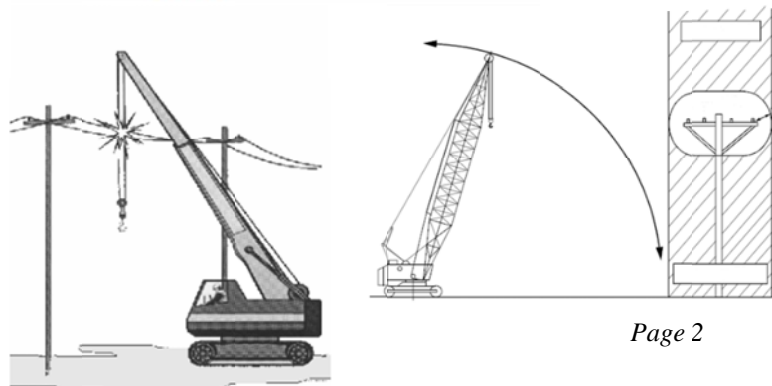
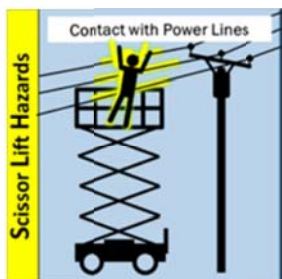
(4) Storage. The storage of tools, machinery, equipment, supplies, materials, or apparatus under, by, or near energized overhead high-voltage lines is hereby expressly prohibited if at any time during such handling or other manipulation it is possible to bring such tools, machinery, equipment, supplies, materials, or apparatus, or any part thereof, closer than the minimum clearances from such lines as set forth in Table 1.

(c) The specified clearance shall not be reduced by movement due to any strains impressed (by attachments or otherwise) upon the structures supporting the overhead high-voltage line or upon any equipment, fixtures, or attachments thereon.

(d) Any overhead conductor shall be considered to be energized unless and until the person owning or operating such line verifies that the line is not energized, and the line is visibly grounded at the work site.

Table 1		
General Clearances Energized Overhead High-Voltage Conductors		
Nominal voltage (Phase to Phase)		Min Required Clearance (ft)
600 to 50000		6
over 50000 to 345000		10
over 345000 to 750000		16
over 750000 to 1000000		20

Table 2		
Boom-type lifting/hoisting equip clearances required from energized overhead high-voltage lines.		
Nominal voltage (Phase to Phase)		Min Required Clearance (ft)
600 to 50000		10
over 50000 to 75000		11
over 75000 to 125000		13
over 125000 to 175000		15
over 175000 to 250000		17
over 250000 to 370000		21
over 370000 to 550000		27
over 550000 to 1000000		42



Overhead Power Line Tips for Construction Workers Before You Begin Construction Work:

- ≈ ***Survey the site for overhead power lines.***
- ≈ ***Look Up and Live!***
- ≈ ***Best Safety Practice: Never get closer than 10 feet to overhead power line!***
- ≈ ***Consider ALL overhead power lines as energized until the electric utility indicates the line is not energized and has been grounded.***
- ≈ ***Have a brief job site meeting to discuss the planned work as it relates to the power lines.***
 - ***It is the contractor's responsibility to understand all regulations when performing construction work with overhead power line.***
 - ***Discuss topics such as the use of long handled tools, and equipment (raised dump trucks, back hoes, etc.) that could come in contact with the lines***
 - ***Consider the need for a designated person to monitor activities around the lines.***
 - ***Only use nonconductive ladders when working on or near overhead lines.***

"Look Up & Live"
Overhead Power Line Safety
Initiative



Things to consider if your vehicle/equipment comes in contact with a power line:

- ≈ ***Don't leave the vehicle, as long as you can stay inside and avoid touching metal on the vehicle.***
- ≈ ***If you need to get out to summon help or because of fire, jump out without touching any wires or the equipment, keep your feet together and hop to safety.***
- ≈ ***When equipment is working close to energized power line the personnel standing on the ground shall not come in contact with this equipment.***



Los Angeles Department of Water and Power Safety - Downed Power Lines

- Never touch a downed or dangling wire or anyone or anything in contact with it. Always assume a downed line is still energized. Report any downed power lines immediately by calling the LADWP at 1-800-342-5397 or call 911.
- Don't touch anyone in contact with a power source – you could be killed or seriously injured.
- Immediately move to a safe place and survey the scene.
- Once you are safe verbally direct others in the area to move away. Communicate with the equipment operator or vehicle driver to stay in place until either help arrives or if their vehicle is in extreme danger.
- Stay away from metal fences, such as a chain link fence – there may be a power line down touching the fence somewhere beyond your sight.
- If there is damage to the connection from the power pole to your house, you should go to the electrical box and turn off the main switch or shut off the fuse switch. Again, always assume electric lines are live.
- In case of an electrical emergency, stay calm and think before you act. Don't become a victim while trying to help others. Visually look around the victim to see if they are in contact with any power lines or cords then call 911.
- If someone has been shocked and is not breathing, call 911. Then cover the victim with a blanket and keep their head low.

If you see a downed powerline, **always** assume it's live and deadly, even if it's not sparking. Stay back at least the length of a school bus.

